
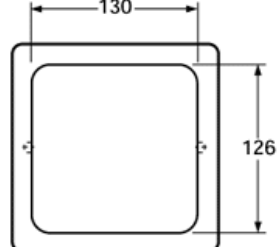
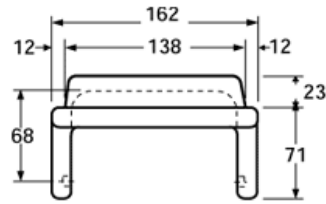
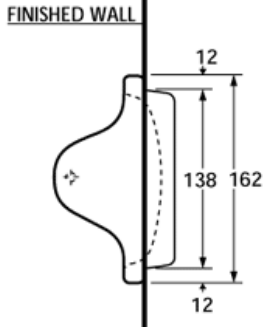




PROJECT		REF		REV	ITEM CODE	
LOCATION		DATE			PAGE	

**SANITARY WARE SPECIFICATION SHEET**

<p>Item Descriptions</p> <p>Dimensions</p> <p>Model</p> <p>Material/ Color</p> <p>Manufacturer</p> <p>Source</p> <p>Contact Tel/Fax</p> <p>E-mail</p> <p>Website</p>	<p>American Standard (Thailand) "Standard" Vitreous china semi-recessed tissue holder tested on BS3402:1969; test report J4930C</p> <p>L162 x W162 x H94 mm</p> <p>TF9002</p> <p>Vitreous China/ White</p> <p>American Standard (Thailand)</p> <p>Acme Sanitary Ware Co. Ltd Mr. Eric Wong / Mr. Don Yuen</p> <p>(852) 2388-7171 / (852) 2710-8012 acme@acmesanitary.com.hk www.acmesanitary.com.hk</p>	<p>Illustration/ Drawing</p>    
--	---	---

Note:

\* All information of the above is for the reference only. No prior notice is made if any changes.